

FLUA®



COMET AD



The series of 17mm light outlet, provide sufficient light brightness, It's the representative of "see the light but not fitting", trimless makes the concise ceiling perfect.

Designer	FLUA
Sales status	On Sale
Product classification	Interior
Model	191811A

WWW.FLUA.COM

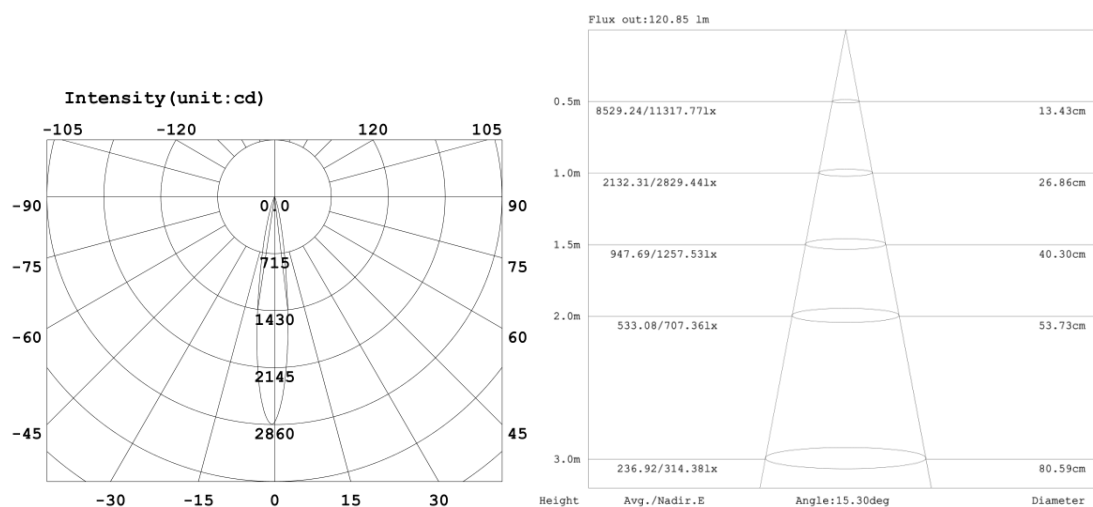
Installation information

Area	Ceiling
Method	Recessed
Cut hole size	Φ62mm
Embedded height	/

Technical general

System power	7.5W
Flux	285 lm
Beam angle	15°
Material	Aluminum
Appearance color	PAW
Size	Φ70*52.2mm
Adjustable angle	Available
Ingress protection	IP20
Input voltage	100-240VAC
Electrical level	Class II

Photometric graph



Electrical parameters

Driver brand	DRIARTE
Driver type	FLMN6W500T
Electrical installation	External

Light source parameters

Brand	CREE
Type	XHP35A
Power	5.9W
Light color	WW
Color temperature	3000K
CRI	90

Other options

Beam angle	/
Color temperature	2700K 4000K
Color	/
Appearance color	PAB

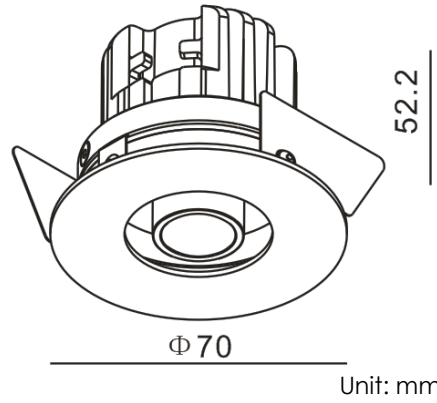
Dimming model	191811DT
Dimming mode	TRIAC dimming
Driver brand	DRIARTE
Driver type	FLMT9W500T
Input voltage	220-240VAC

Dimming model	191811DA
Dimming mode	DALI
Driver brand	LTECH
Driver type	SE-12-350-700-W1D
Input voltage	100-240VAC

FLUA®

3D module

Line drawing



Instructions

